

# 4MP Fisheye Fixed Dome Network Camera

IPC814SR-DV(S)PF16



## Key Features

### Optics

- Ultra wide angle lens, 180° panoramic image
- Smart IR, Up to 10 m (33 ft) IR distance
- 3D DNR (Digital Noise Reduction)

### Compression

- H.265, H.264, MJPEG
- Embedded smart algorithm
- Built-in omnidirectional microphone
- Single stream (1 panoramic view)

### Network

- ONVIF Conformance

### Structure

- Support PoE power supply
- Wide temperature range: -40°C to 60°C (-40°F to 140°F)
- Wide voltage range of  $\pm 25\%$
- IK10

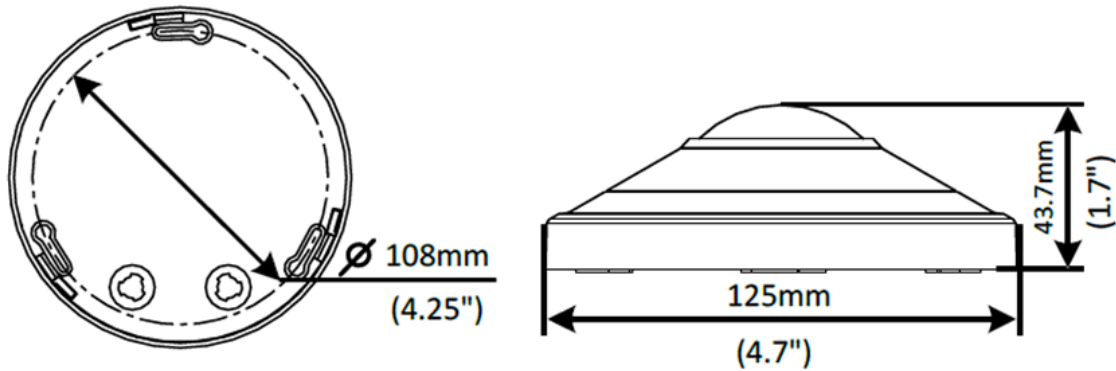
- IP66

## Specifications

	IPC814SR-DVVPF16	IPC814SR-DVSPF16
<b>Camera</b>		
Image sensor	1/3", 4 megapixel, progressive scan, CMOS	
Aperture	F1.6	
Shutter	Auto/Manual, shutter time: 1/6 s ~1/100000 s	
Minimum Illumination	Colour: 0.02 Lux (F1.8, AGC ON) 0 Lux with IR	
S/N Ratio	>55dB	
Day / Night	IR-cut filter for day & night function	
WDR	120 dB	
<b>Video</b>		
Max. Resolution	2592×1520	
Video Compression	H.265, H.264, MJPEG	
Frame Rate	4MP (2592×1520): Max. 20 fps; 4MP (2560×1440): Max. 25 fps 3MP (2048×1520): Max. 30 fps; 1080P (1920×1080): Max. 30 fps	
ROI(Region of Interest)	Supported	
Maximum Streams	Single stream (1 panoramic view)	
OSD	Up to 8 OSD	
Privacy Mask	Supported	
<b>Storage</b>		
Edge Storage	Micro SD, up to 128GB	
<b>Network</b>		
Protocols	L2TP, IPv4, IGMP, ICMP, ARP, TCP, UDP, DHCP, PPPoE, RTP, RTSP, RTCP, DNS, DDNS, NTP, FTP, UPnP, HTTP, HTTPS, SMTP, SIP, 802.1x	
Compatible Integration	ONVIF, API	
<b>Interface</b>		
Audio I/O	Audio interface	N/A
	Input: impedance 35 kΩ; amplitude 2 V [p-p]	N/A
	Output: impedance 600 Ω; amplitude 2 V [p-p]	N/A
	1 built-in omnidirectional microphone	N/A
Alarm I/O	1 / 1	N/A
Video Output	1 BNC, impedance 75 Ω; amplitude 1 V [p-p]	N/A
Network	10M/100M Base-TX Auto-adaptive Ethernet	
Reset	1 Reset Button	
<b>General</b>		
Power	DC12V±25%, PoE (IEEE 802.3af)	
	Power consumption: Max. 11 W	
Dimensions (Ø x H)	Ø125x 43.7 mm (Ø4.9" x 1.7")	

Weight	0.39kg (0.86lb)
Working Environment	-40°C~60°C(-40°F ~ 140°F), Humidity ≤ 95% RH
Vandal Resistant	IK10
Ingress Protection	IP66

## Dimensions



### Zhejiang Uniview Technologies Co., Ltd.

Building No.10, Wanlun Science Park, Jiangling Road 88, Binjiang District, Hangzhou, Zhejiang, China (310051)

Email: [overseasbusiness@uniview.com](mailto:overseasbusiness@uniview.com); [globalsupport@uniview.com](mailto:globalsupport@uniview.com)

<http://www.uniview.com>

©2016 Zhejiang Uniview Technologies Co., Ltd. All rights reserved.

\*Product specifications and availability are subject to change without notice.