

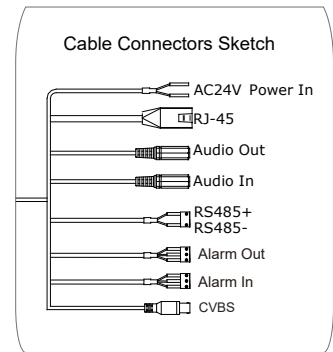
ULTRA-Z IP

Z-20IP-3(IR)
Z-20IPE-2(IR)+



Main Features:

- ONVIF
- Dual Video Stream
- H.264 Video Compression
- G.711U Audio Compression
- 2 Way Audio
- Alarm (I/O): 1 Input / 1 Output
- RS-485 Connectivity
- 100m IR Distance
- Preset speed of 350°/Sec (max)
- Preset accuracy up to 0.1°
- Endless 360° Pan Rotation
- 180° Continuous Tilt with Auto Flip
- 256 Preset Position
- 4 Pattern, 8 Scan Routes and 8 Cruise Lanes
- Park Action
- Fully function web-client
- 3D-DNR Noise Reduction
- Digital WDR
- IP66 Water-proof and Dust-proof
- Excellent High Resolution Picture Quality
- True Day/Night with ICR Filter
- WB/BLC/AGC



Specifications

		Model	Z-20IP-3 (IR)	Z-20IPE-2 (IR)+
Camera	Video	Image Sensor	1/2.8" CMOS	
		Effective Pixels	2048×1536	1920×1080
		Sync System	Progressive Scan	
		Electronic Shutter	1/25s ~ 1/10000s	
		Day & Night	ICR (Auto/Day/Night)	
		Min. Illumination	0.05 Lux (Color), 0.01 Lux (B&W), 0 Lux (IR On)	
	Lens	S/N Ratio	>52dB	
		Optical Zoom	x20 (F1.6~4.7mm - F3.5~97mm)	
		Digital Zoom	x12	
		Focus	Auto / Manual	
Audio	Minimum Focus Distance	1m		
	Horizontal Angle of View	54.1° (Wide) ~ 2.8° (Tele)		
Image Enhancement	Audio compression	G.711-U		
	Communication	Two Way Audio		
	Image Settings	AWB	Adjustable	
		Exposure Mode	Sharpness, Saturation, Brightness & Contrast Adjustable	
	BLC	Auto Gain Adjustable		
	Sense-Up	Yes (5 Levels)		
	WDR Range	Digital WDR		
	Noise Reduction	3D-DNR		
	Image Orientation	Mirror/Flip		
	Privacy Zone	Yes		
Motion Detection	Yes			
Compression	Video Compression	H.264 Main Profile		
	Resolution	Main Stream: 3MP, 1080P Sub-Stream: D1, CIF	Main Stream: 1080P, 720P Sub-Stream: D1, CIF	
	Multi-stream	3MP* (1~30fps) 1080P (1~30fps) 720P** (1~30fps) D1 (1~30fps) / CIF (1~30fps)		
	Bit rate	64Kbps ~ 8Mbps		
	Encode Mode	VBR/CBR		
	Image Quality	Six levels under VBR; Free adjustment under CBR		

Network	Remote Monitoring	IE Browsing, CMS 3.x Control Software
	User Access	Supports simultaneous monitoring for up to 4 users with multi-stream real time transmission
	Network Protocol	TCP/IP, UDP, DHCP, NTP, RTP, RTSP, UPnP, SNMP, PPPoE, DNS, DDNS, SMTP, FTP, HTTP, IPv4, IPv6
Pan/Tilt	ONVIF	Yes
	Ethernet	100Mbps
	PoE	No
	Pan/Tilt Range	360° (Endless) / -10°~180° (Auto Flip)
	Pan/Tilt Speed	Max Preset Speed: Horizontal: 350°/s, Vertical: 120°/s Horizontal: 0.01°/s - 350°/s, Vertical: 0.01°/s - 120°/s
Housing	Presets	256
	Patterns	4
	Cruise	8
	Scan	8
Connectivity	Schedule	Yes
	IR Distance	100m
	Water-proof	IP66
	Wiper	No
	Fan & Heater	Yes (Automatic / Manual Operation)
	Bracket	Wall Bracket
Others	Dimensions	354L×341H×228W
	Weight(gross)	5.8Kg
	Network	RJ45
	Power	DC Socket
	Alarm	1Ch In / 1Ch Out
Work Environment	Power Supply	AC24V/3A
	Work Environment	-35 C ~ 50 C, 10%~90% Humidity

*Z-20IP-3(IR) Model Only. **Z-20IPE-2(IR) Model Only.