

# FLEXIDOME IP panoramic 7000 IC

www.boschsecurity.com



**BOSCH**  
Invented for life



- ▶ 12MP / 30 fps sensor for fine details with smooth motion
- ▶ Edge or client-side dewarping for easy integration
- ▶ Intelligent Video Analytics on full panoramic overview
- ▶ Discreet and aesthetic in-ceiling design
- ▶ Easily painted for unobtrusive installation

This discreet, aesthetic camera mounts flush in a ceiling or wall. Its easily-painted cover plate blends in with almost all surroundings. The 12MP sensor operating at 30 fps provides full panoramic surveillance with complete area coverage, fine details and high speeds. The camera offers full situational awareness and simultaneous E-PTZ views in high resolution.

### Versions

The 360° version of the camera, when mounted centrally on a ceiling, gives complete wall-to-wall coverage. The 180° version has a higher effective resolution and is ideal for wall mounting or for ceiling mounting in corridors.

### Dewarping

The lens captures a circular image. Our dewarping software transforms this circular image into several different distortion-free rectangular views. To facilitate system integration, you can choose edge dewarping inside the camera or client-side dewarping on an external platform.

The freely available Video Security Client from Bosch provides advanced client-side dewarping features.

### System overview

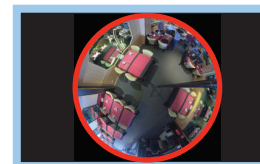
#### Advantages of panoramic surveillance

Panoramic surveillance offers full 180° or 360° coverage of the designated area. Because our panoramic cameras cover the full area, they provide complete situational awareness and are ideally suited to following movement in one continuous sweep.

180°



360°



These panoramic cameras will considerably augment the functionality of any high-end surveillance system especially when coupled with Intelligent Video Analytics, for example, for people counting or complex rule-based alarm triggering. Intelligent Video Analytics continuously monitors the full image circle so you still receive alarms even if you are zoomed-in on a particular region.

## Functions

### 12MP sensor at 30 fps

The ultra high 12MP sensor resolution together with the exceptionally high frame rate of 30 fps makes this camera unique in the field of panoramic image capture. Motion is smoother and the E-PTZ feature provides more detailed images.

The effective resolution for the 180° version is 8MP and for the 360° version 7MP.

### Intelligent Video Analytics

The camera uses the latest generation of the Bosch Intelligent Video Analytics (IVA) software. IVA combined with full panoramic vision produces an extremely powerful surveillance tool which enriches full situational awareness. With intelligent tracking, movement can be followed continuously throughout the full image circle. There is no need to hand off tracking from one camera to another, greatly simplifying movement analysis.

The system reliably detects, tracks, and analyzes objects, and alerts you when predefined alarms are triggered. A smart set of alarm rules makes complex tasks easy and reduces false alarms to a minimum. Intelligent Video Analytics also adds sense and structure to your video by adding metadata. Metadata is generated from the full image circle and also separately on the E-PTZ channel. This enables you to quickly retrieve the relevant images from hours of stored video. Metadata can also be used to deliver irrefutable forensic evidence or to optimize business processes based on people counting or crowd density information.

### Client-side dewarping

With client-side dewarping, the camera streams a single circular non-dewarped image at 30 fps. Dewarping is performed with our dewarping software that is installed on the PC where multiple view modes are available or you can choose to use a third-party client-side dewarping software solution.

### Edge dewarping

The edge dewarping in the camera provides three separate video channels simultaneously at 12.5 fps:

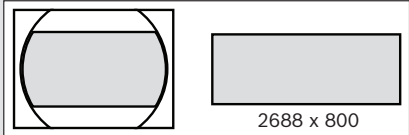
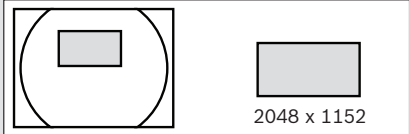
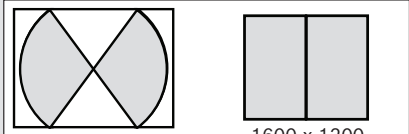
- Full image circle (Video 1 channel)
- Dewarped view mode (Video 2 channel)
- E-PTZ (Video 3 channel)

Different view modes can be selected for the video 2 channel. Your selection depends on the resolution you require and how you wish to view the dewarped image.

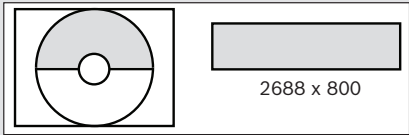
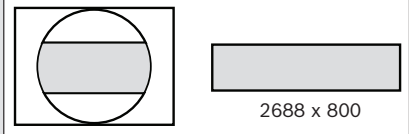
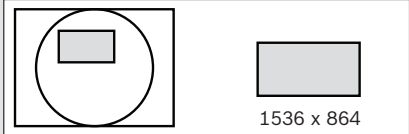
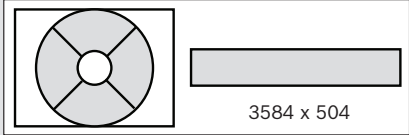
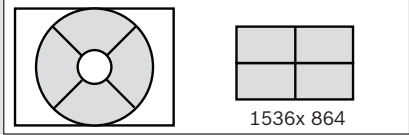
### View modes

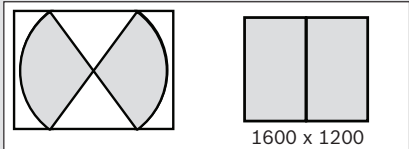
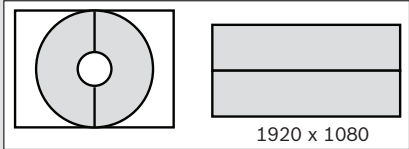
The following view modes can be selected at 12.5 fps with edge dewarping or 30 fps with our client side dewarping.

With the 180° lens version, you can select one of the following view modes for the second channel:

180° lens version	Full image cut-out and displayed image
Panoramic view	 2688 x 800
E-PTZ view	 2048 x 1152
Corridor view	 1600 x 1200

With the 360° lens version, select one of the following view modes for the second channel:

360° lens version	Full image cut-out and displayed image
Panoramic view (ceiling mount)	 2688 x 800
Panoramic view (wall mount)	 2688 x 800
E-PTZ view	 1536 x 864
Full panoramic view	 3584 x 504
Quad view	 1536x 864

360° lens version	Full image cut-out and displayed image
Corridor view	
Double panoramic view	

**DORI coverage**

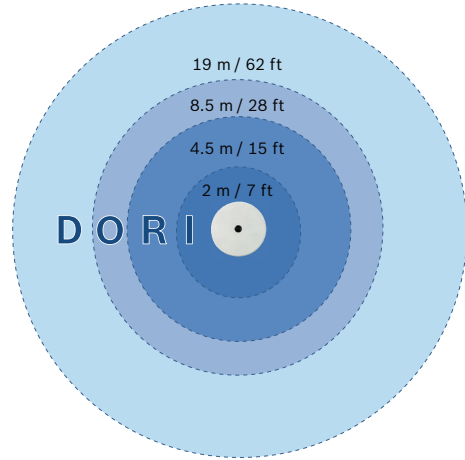
DORI (Detect, Observe, Recognize, Identify) is a standard system (EN-62676-4) for defining the ability of a camera system for defining the ability of a camera to distinguish persons or objects within a covered area. The maximum distance at which a camera/lens combination can meet these criteria is shown below:

For high mounting applications, the center image DORI values are:

DORI	Object distance - 180°	Object distance - 360°
Detect	55 m (181 ft)	42 m (138 ft)
Observe	22 m (72 ft)	16.5 m (54 ft)
Recognize	10.5 m (35 ft)	8.5 m (28 ft)
Identify	5.5 m (18 ft)	4 m (13 ft)

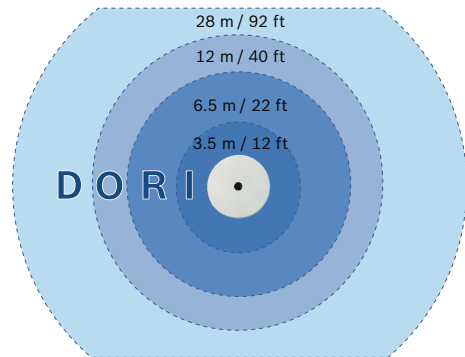
When mounted at a height of 3 m (10 ft) the 360° version of the camera has the following coverage radius for the four levels:

DORI	DORI definition	Coverage radius
Detect	25 px/m (8 px/ft)	19 m (62 ft)
Observe	63 px/m (19 px/ft)	8.5 m (28 ft)
Recognize	125 px/m (38 px/ft)	4.5 m (15 ft)
Identify	250 px/m (76 px/ft)	2 m (7 ft)



When mounted at a height of 3 m (10 ft) the 180° version of the camera has the following coverage radius for the four levels:

DORI	DORI definition	Coverage radius
Detect	25 px/m (8 px/ft)	28 m (92 ft)
Observe	63 px/m (19 px/ft)	12 m (40 ft)
Recognize	125 px/m (38 px/ft)	6.5 m (22 ft)
Identify	250 px/m (76 px/ft)	3.5 m (12 ft)



**E-PTZ and regions of interest**

The remote E-PTZ (Electronic Pan, Tilt and Zoom) controls allow you to select specific areas of the full image circle. These Regions of Interest (ROI) can be easily defined, allowing the most interesting part of a scene to be monitored separately. The high resolution ensures that details are not lost even when using the electronic zoom.

The E-PTZ feature of a panoramic camera has some advantages over normal PTZ cameras. There is no camera movement so the camera does not draw attention to itself or appear intrusive. Situational awareness is still retained even when zooming in on a particular object of interest. The smooth E-PTZ function helps navigation, and presets are available as they are with regular PTZ cameras.

### Record exactly what you want

The camera provides the full resolution circular image for recording even if you are viewing only a portion of the scene. This means that you can always perform retrospective dewarping and analyses on the complete area covered and then zoom in on the region or object of interest.

With edge-dewarping you can also choose to only record the relevant parts of the scene which helps reduce bitrates significantly.

### Intelligent Dynamic Noise Reduction

Quiet scenes with little or no movement require a lower bitrate. By intelligently distinguishing between noise and relevant information, Intelligent Dynamic Noise Reduction reduces bitrate by up to 50%. Because noise is reduced at the source during image capture, the lower bitrate does not compromise on video quality.

With the release of FW6.40 an extra level of intelligence is added with Intelligent Streaming. The camera provides the most usable image possible by cleverly optimizing the detail-to-bandwidth ratio. The smart encoder continuously scans the complete scene as well as regions of the scene and dynamically adjusts compression based on relevant information like movement. Together with Intelligent Dynamic Noise Reduction, which actively analyzes the contents of a scene and reduces noise artifacts accordingly, bitrates are reduced by up to 80%. Because noise is reduced at the source during image capture, the lower bitrate does not compromise image quality. This results in substantially lower storage costs and network strain and still retain a high image quality and smooth motion.

### Area-based encoding

Area-based encoding is another feature which reduces bandwidth. Compression parameters for up to eight user-definable regions can be set. This allows uninteresting regions to be highly compressed, leaving more bandwidth for important parts of the scene. Area-based encoding is only available with client-side dewarping.

### Bitrate optimized profile

The average typical optimized bandwidth in kbits/s for various image rates is shown in the table:

fps	12MP (full image circle)	Dewarped ROI (720p)
30	3100	-
25	2921	-
20	2640	-
12.5	2305	491
10	2192	432

fps	12MP (full image circle)	Dewarped ROI (720p)
5	1530	303
2	655	130

### Measured dynamic range

The dynamic range of the camera is outstanding and is obvious in real-world performance comparisons – 92 dB wide dynamic range (plus an extra 16 dB when combined with Intelligent Auto Exposure).

The actual dynamic range of the camera is measured using Opto-Electronic Conversion Function (OECF) analysis with a standardized test chart based on ISO standards. This method provides more realistic and verifiable results in comparison with the theoretical approximations sometimes used.

### Priority exposure control

To optimize image quality, eight zones for measuring the exposure can be drawn on the full image circle and assigned a priority level. These zones are given a higher or lower priority when the camera calculates the exposure level. This ensures that the important areas of the scene have the ideal exposure level.

### Intelligent Auto Exposure

Fluctuations in backlight and front light can ruin your images. To achieve the perfect picture in every situation, Intelligent Auto Exposure automatically adjusts the exposure of the camera. It offers superb front light compensation and incredible backlight compensation by automatically adapting to changing light conditions.

### Flush mount design for easy unobtrusive installation

The flat-profile design of the camera makes it exceedingly suitable for installations where unobtrusive surveillance is required. The thin cover plate fits flush with any mounting surface, and its e-coating is easily painted to blend with most surroundings.

The discreet high quality IR corrected lens is factory focused and is not restricted by a bubble, so installation is simplified and sharpness is assured. Power for the camera is supplied via a Power-over-Ethernet compliant network cable connection. With this configuration, only a single cable connection is required to view, power, and control the camera.

### Scene modes

The camera has a very intuitive user interface that allows fast and easy configuration. Nine configurable modes are provided with the best settings for a variety of applications. Different scene modes can be selected for day or night situations.

### Storage management

Recording management can be controlled by the Bosch Video Recording Manager (Video Recording Manager) or the camera can use iSCSI targets directly without any recording software.

### Edge recording

Insert a memory card into the card slot to store up to 2 TB of local alarm recording. Pre-alarm recording in RAM reduces recording bandwidth on the network, and extends the effective life of the memory card.

### Cloud-based services

The camera supports time-based or alarm-based JPEG posting to four different accounts. These accounts can address FTP servers or cloud-based storage facilities (for example, Dropbox). Video clips or JPEG images can also be exported to these accounts.

Alarms can be set up to trigger an e-mail or SMS notification so you are always aware of abnormal events.

### Access security

Password protection with three levels and 802.1x authentication is supported. To secure Web browser access, use HTTPS with a SSL certificate stored in the camera.

### Complete viewing software

There are many ways to access the camera's features: using a web browser, with the Bosch Video Management System, with the free-of-charge Bosch Video Client or Video Security Client, with the video security mobile app, or via third-party software. The Video Security Client has extensive dewarping capabilities and can be used for client-side dewarping as well as for viewing the available modes.

### System integration

The camera conforms to the ONVIF Profile S specifications. Compliance with these standards guarantees interoperability between network video products regardless of manufacturer. Third-party integrators can easily access the internal feature set of the camera for integration into large projects. Visit the Bosch Integration Partner Program (IPP) website ([ipp.boschsecurity.com](http://ipp.boschsecurity.com)) for more information.

### Certifications and approvals

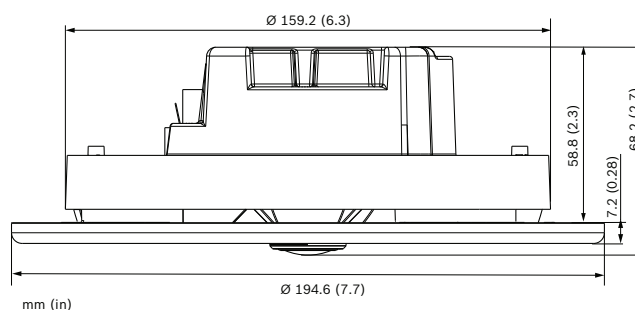
Standards	Type
Emission	EN 50121-4:2016; EN 55032: 2013, Class A; CFR 47 FCC part 15:2012-10-1, Class B;
Immunity	EN 50121-4:2016; EN 50130-4:2011*
Safety	EN 60950-1:2006, +A11:2009, +A1:2010, +A12:2011, AC:2011; UL 60950-1, 2nd edition:2011; CAN/CSA-C 22.2 No. 60950-1-07, 2nd edition
Environmental tests	EN 50130-4:2011, Class II (Indoor in general, fixed equipment), Alarm systems - Part 5: Environmental test methods

Standards	Type
Environmental	EN 50581 (2012)
Marks	CE, cULus, WEEE, PADS, RCM and China RoHS
Image quality	UL 2802

\* All systems where this camera is used must comply with this standard as well.

Region	Regulatory compliance/quality marks	
Europe	CE	ce_Certificate
USA	UL	
	FCC	

### Installation/configuration notes



### Technical specifications

Power	
Power Supply	Power-over-Ethernet 48 VDC nominal
PoE	IEEE 802.3af (802.3at Type 1)
Current draw (PoE)	200 mA max.

Sensor	
Type	1/2.3-inch CMOS
Total sensor pixels	12MP
Used pixels (180° version)	3648 x 2160 (8MP)
Used pixels (360° version)	2640 x 2640 (7MP)

### Video performance – Sensitivity – 360° lens

(3100K, reflectivity 89%, F2.8, 30IRE)

Color	0.55 lx
Mono	0.18 lx

**Video performance – Sensitivity – 180° lens**

(3100K, reflectivity 89%, F2.8, 30IRE)

Color 0.46 lx

Mono 0.15 lx

**Video performance – Dynamic range**

Dynamic range 92 dB WDR (+16 dB IAE)

**Video streaming**

Video compression H.264 (MP); M- JPEG

Streaming Multiple configurable streams in H.264 and M-JPEG, configurable frame rate and bandwidth. Multiple channels with edge dewarping. Regions of Interest (ROI)

Overall IP Delay Min. 120 ms, Max. 340 ms

Encoding interval 1 to 25 [30] ips

Encoder regions Eight independent areas for setting encoder quality to optimize bitrate.

**Video resolution (H x V) – 180° version**

Video 1 channel Image circle 3640 x 2160

Video 2 channel Panoramic 2688 x 800

E-PTZ 2048 x 1152

Corridor 1600 x 1200

Video 3 channel E-PTZ 1280 x 720

**Video resolution (H x V) – 360° version**

Video 1 channel Full image circle 2640 x 2640

Video 2 channel Full panoramic 3584 x 504

E-PTZ 1536 x 864

Quad 1536 x 864

Panoramic 2688 x 800

Double panoramic 1920 x 1080

Corridor 1600 x 1200

Video 3 channel E-PTZ 1280 x 720

**Video functions - color**

Adjustable picture settings Contrast, Saturation, Brightness

White Balance 2500 to 10000K, 4 automatic modes (Basic, Standard, Sodium lamp, Dominant color), Manual mode and Hold mode

**Video functions - ALC**

ALC level Adjustable

Saturation Adjustable from peak to average

Shutter Automatic Electronic Shutter (AES); Fixed shutter (1/25[30] to 1/15000) selectable; Default shutter

Day/Night Auto (adjustable switch points), Color, Monochrome

**Video functions - enhance**

Sharpness Sharpness enhancement level selectable

Backlight compensation On / off / Intelligent Auto Exposure (IAE)

Contrast enhancement On/off

Noise reduction Intelligent Dynamic Noise Reduction  
Intelligent Streaming

Intelligent defog Intelligent Defog automatically adjusts parameters for best picture in foggy or misty scenes (switchable)

**Video content analysis**

Analysis type Intelligent Video Analytics

Configurations Silent VCA / Profile1/2 / Scheduled / Event triggered

Alarm rules (combinable)

- Any object
- Object in field
- Line crossing
- Enter / leave field
- Loitering
- Follow route
- Idle / removed object
- Counting
- Occupancy
- Crowd density estimation
- Condition change
- Similarity search
- Flow / counter flow

Object filters

- Duration
- Size
- Aspect ratio
- Speed
- Direction
- Color
- Object classes (4)

Tracking modes

- Standard (2D) tracking
- 3D tracking
- 3D people tracking
- Ship tracking
- Museum mode

Video content analysis	
Calibration / Geolocation	Automatic based on gyro / accelerometer data and camera height
Tamper detection	Maskable
Additional functions	
Scene modes	Nine default modes, Scheduler
Privacy Masking	Eight independent areas, fully programmable
Video authentication	Off / Watermark / MD5 / SHA-1 / SHA-256
Display stamping	Name; Logo; Time; Alarm message
Pixel counter	Selectable area
Optical	
Lens (180° version)	2.1 mm fixed-focus lens (IR corrected), F2.8
Lens (360° version)	1.6 mm fixed-focus lens (IR corrected), F2.8
Lens mount	Board mounted
Iris control	Fixed iris
Field of view (180° version)	180° (H) x 93° (V)
Field of view (360° version)	180° (H) x 180° (V)
Minimum object distance	0.1 m
Day/Night	Switched mechanical IR filter
Local storage	
Internal RAM	10 s pre-alarm recording
Memory card slot	Supports up to 32 GB microSDHC / 2 TB microSDXC card. (An SD card of Class 6 or higher is recommended for HD recording)
Recording	Continuous recording, ring recording, alarm/ events/schedule recording
Software	
Unit discovery	IP Helper
Unit configuration	Via web browser or Configuration Manager
Firmware update	Remotely programmable
Software viewing	Web browser; Video Security Client; Video Security App; Bosch Video Management System; Bosch Video Client; or third party software
Latest firmware and software	<a href="http://downloadstore.boschsecurity.com/">http://downloadstore.boschsecurity.com/</a>

Network	
Protocols	IPv4, IPv6, UDP, TCP, HTTP, HTTPS, RTP/ RTCP, IGMP V2/V3, ICMP, ICMPv6, RTSP, FTP, ARP, DHCP, APIPA (Auto-IP, link local address), NTP (SNTP), SNMP (V1, V3, MIB-II), 802.1x, DNS, DNSv6, DDNS (DynDNS.org, selfHOST.de, no-ip.com), SMTP, iSCSI, UPnP (SSDP), DiffServ (QoS), LLDP, SOAP, Dropbox™, CHAP, digest authentication
Encryption	TLS 1.2, SSL, DES, 3DES
Ethernet	10/100 Base-T, auto-sensing, half/full duplex
Connectivity	Auto-MDIX
Interoperability	ONVIF Profile S; GB/T 28181

Mechanical	
Dimensions camera	Ø195 x 68.2 mm (7.68 x 2.68 in)
Dimensions flush profile	Ø195 x 7 mm (7.68 x 0.28 in)
Weight	761 g (1.68 lb)
Sustainability	PVC free

Environmental	
Operating Temperature	-20°C to +40°C (-4°F to 104°F)
Storage Temperature	-20°C to +60°C (-4°F to 140°F)
Operating humidity	20% to 93% RH
Storage humidity	up to 98% RH

**Ordering information**

**NFN-70122-F1A Fixed dome 12MP 180° IVA in-ceiling**  
 Flush-mount, high-performance 12MP sensor camera with paintable cover for unobtrusive intelligent panoramic surveillance.  
 Intelligent Video Analytics  
 180° lens  
 Order number **NFN-70122-F1A**

**EWE-FD7PAN-IW 12mths wrty ext FD IP panoramic 7000**  
 12 months warranty extension  
 Order number **EWE-FD7PAN-IW**

**NFN-70122-F0A Fixed dome 12MP 360° IVA in-ceiling**  
 Flush-mount, high-performance 12MP sensor camera with paintable cover for unobtrusive intelligent panoramic surveillance.  
 Intelligent Video Analytics  
 360° lens  
 Order number **NFN-70122-F0A**

**EWE-FD7PAN-IW 12mths wrty ext FD IP panoramic 7000**  
 12 months warranty extension  
 Order number **EWE-FD7PAN-IW**

**Accessories**

**NPD-5001-POE Power over ethernet , 15.4W, 1-port**  
 Power-over-Ethernet midspan injector for use with PoE enabled cameras; 15.4 W, 1-port  
 Weight: 200 g (0.44 lb)  
 Order number **NPD-5001-POE**

**NPD-5004-POE Power over ethernet, 15.4W, 4-port**  
 Power-over-Ethernet midspan injectors for use with PoE enabled cameras; 15.4 W, 4-ports  
 Weight: 620 g (1.4 lb)  
 Order number **NPD-5004-POE**

**Services**

**EWE-FD7PAN-IW 12mths wrty ext FD IP panoramic 7000**  
 12 months warranty extension  
 Order number **EWE-FD7PAN-IW**

**Represented by:**

**Europe, Middle East, Africa:**  
 Bosch Security Systems B.V.  
 P.O. Box 80002  
 5600 JB Eindhoven, The Netherlands  
 Phone: + 31 40 2577 284  
 emea.securitysystems@bosch.com  
 emea.boschsecurity.com

**Germany:**  
 Bosch Sicherheitssysteme GmbH  
 Robert-Bosch-Ring 5  
 85630 Grasbrunn  
 Germany  
 www.boschsecurity.com

**North America:**  
 Bosch Security Systems, Inc.  
 130 Perinton Parkway  
 Fairport, New York, 14450, USA  
 Phone: +1 800 289 0096  
 Fax: +1 585 223 9180  
 onlinehelp@us.bosch.com  
 www.boschsecurity.us

**Asia-Pacific:**  
 Robert Bosch (SEA) Pte Ltd, Security Systems  
 11 Bishan Street 21  
 Singapore 573943  
 Phone: +65 6571 2808  
 Fax: +65 6571 2699  
 apr.securitysystems@bosch.com  
 www.boschsecurity.asia